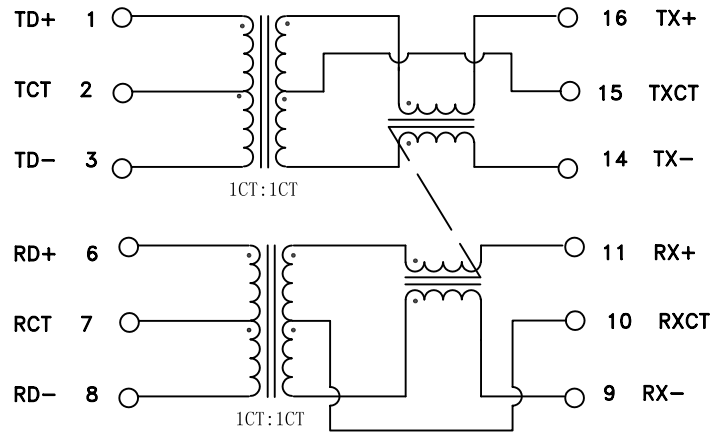


Schematic:

REV.	ECN NO.	DESCRIPTION	DATE	APPD
A	REL		05/06/2009	



Electrical Specification @25°C

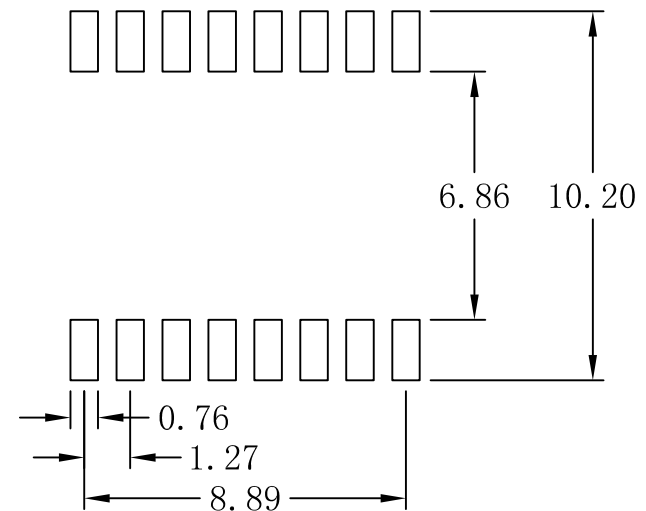
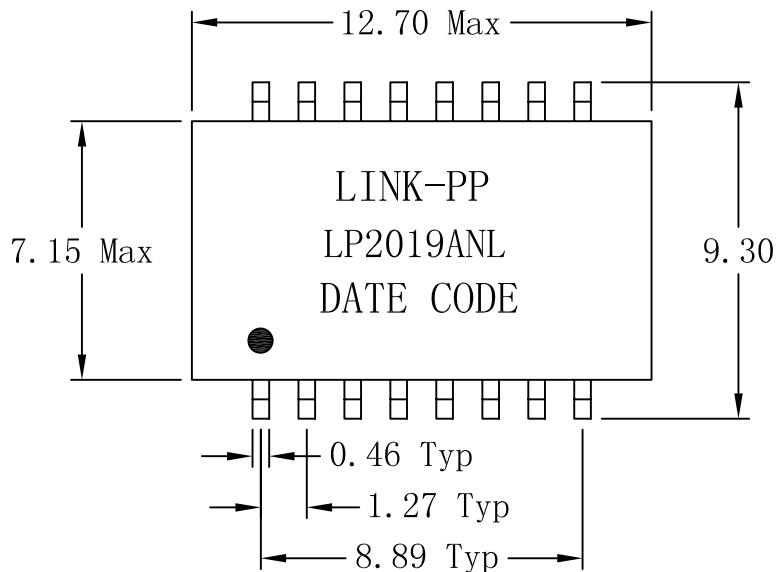
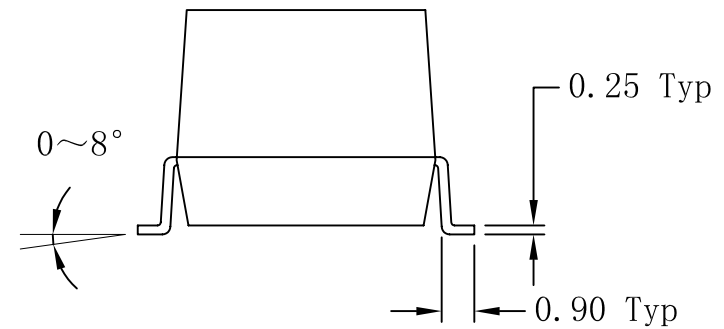
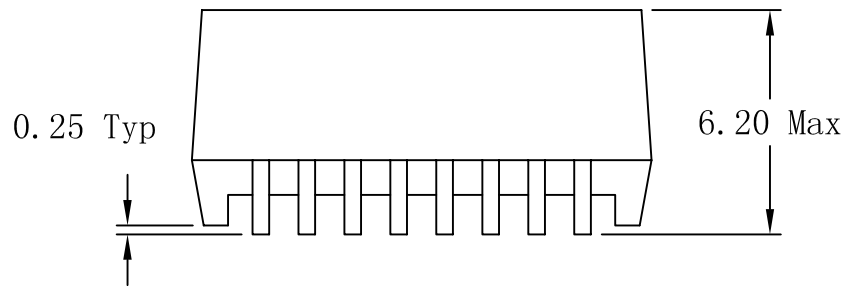
- Turns Ratio:
TX=1CT:1CT RX=1CT:1CT
- Insertion Loss:
0. 1-100MHz:-1.0dB MAX
- Return Loss:
0. 1-30MHz:-18dB MIN
30-60MHz: -13dB MIN
60-80MHz:-12dB MIN
- Crosstalk:
0. 1-100MHz:-35dB MIN
- DCMR:
30MHz:-42dB MIN
60MHz:-36dB MIN
100MHz:-33dB MIN
- CMRR:
1-100MHz: -40dB TYP
- L: 1-3, 6-8:
350uH MIN 100KHz 0.1V 8mADC
- DCR: 1-3, 6-8: 0.9 OHM MAX
- LK:
1-3(Tie:16+14):0.5uH MAX 100KHz 0.1V
6-8(Tie:11+9): 0.5uH MAX 100KHz 0.1V
- Cw/w:
(1-3), (16-14):28pF MAX 100KHz 0.1V
(6-8), (11-9): 28pF MAX 100KHz 0.1V
- Isolation Voltage: 1500Vrms
- Operating Temperature: -40°C~+85°C.



X:X	APPD:	LINK-PP INT'L TECHNOLOGY CO., LIMITED		
X:XX	CHKD:	Title: 10/100Base-TX VoIP Magnetics Modules & POWER over ETHERNET (PoE)		
X:XXX	DR: TOM	PART NO.: LP2019ANL		
ANGLES ±1°	UNIT: mm			
	SCALE: 2/1	SHEET: 1/2	REV: A	DWG NO.: TRC09060503

Mechanical :

REV.	ECN NO.	DESCRIPTION	DATE	APPD
A	REL		05/06/2009	



SUGGESTED PAD LAYOUT



NOTES:

1. Designed to support application, such as SOHO (ADSL modems), LAN-on-Motherboard (LOM), hub and Switches.
2. Power over Ethernet (PoE) Magnetics
3. PoE applications current capability: 600mA.
4. With various Turns Ratios.
5. RoHS "NL" peak solder rating $255 \pm 5^\circ\text{C}$.

Dimensions: mm

Unless otherwise specified, all tolerances are ± 0.25

X:X	APPD:	LINK-PP INT'L TECHNOLOGY CO., LIMITED		
X:XX	CHKD:	Title: 10/100Base-TX VoIP Magnetics Modules & POWER over ETHERNET (PoE)		
X:XXX	DR: TOM	PART NO.: LP2019ANL		
ANGLES $\pm 1^\circ$	UNIT: mm			
	SCALE: 2/1	SHEET: 2/2	REV: A	DWG NO.: TRC09060503