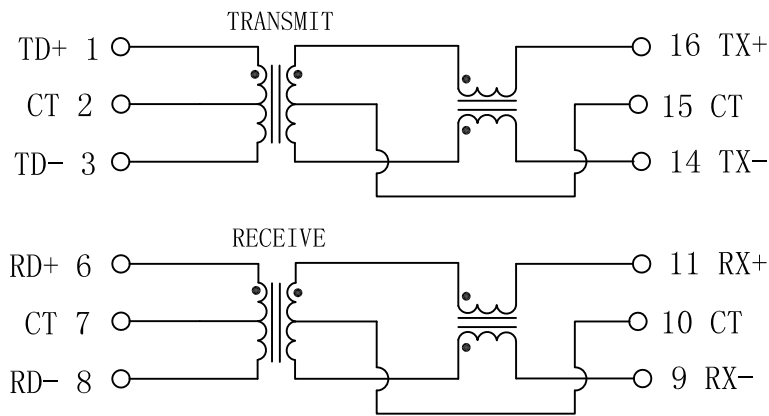


# Schematic:

REV.	ECN NO.	DESCRIPTION	DATE	APPD
A	REL		19/01/2010	



## Electrical Specifications @25°C

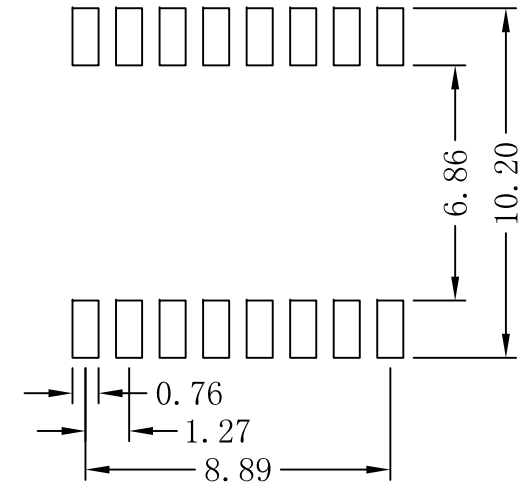
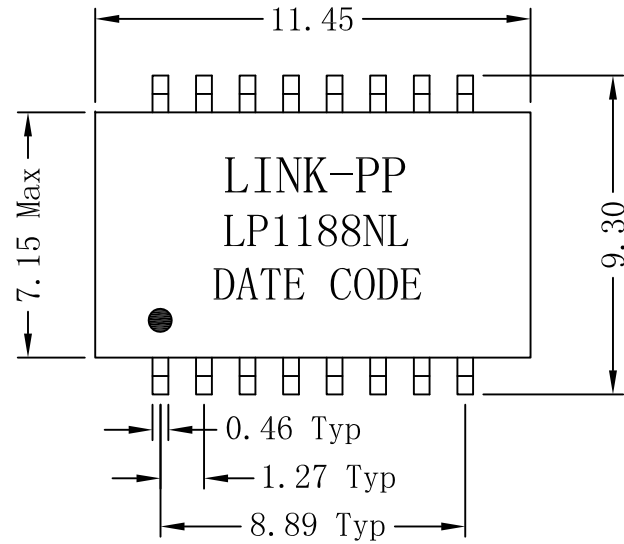
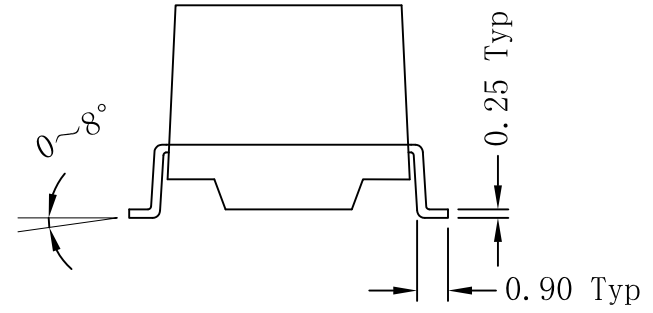
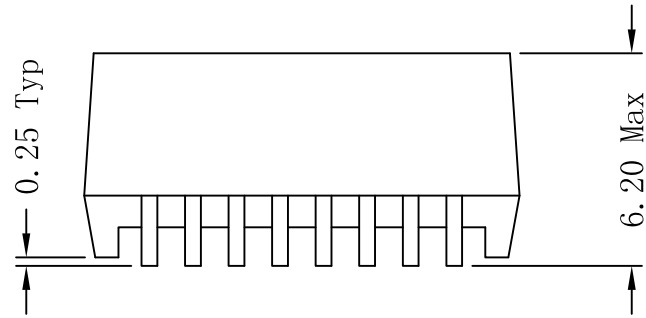
- OCL: 350uH MIN  
@100KHz, 0.1Vrms, 8mADC Bias
- Turns Ratio:  
TX=1CT : 1CT      RX=1CT : 1CT
- Insertion Loss:  
0.1-100MHz:-1.1dB MAX
- Return Loss (dB TYP):  
30MHz:-20      60MHz:-14  
80MHz:-11.5
- Crosstalk (dB TYP):  
30MHz:-45      60MHz:-40  
100MHz:-35
- DCMR (dB TYP):  
30MHz:-42      50MHz:-37  
100MHz:-33
- Hipot: 1500Vrms MIN
- Operating Temperature: -40°C ~+85°C.



X:X	APPD:	LINK-PP INT'L TECHNOLOGY CO., LIMITED
X:XX	CHKD:	TITLE: 10/100 Base-T Single Port Transformer Modules
X:XXX	DR: C.H.Y	PART NO.: LP1188NL
ANGLES ±1°	UNIT: mm	DWG NO.: LP10011922
	SCALE: 2/1	SHEET: 1/2
	REV: A	

# Mechanical:

REV.	ECN NO.	DESCRIPTION	DATE	APPD
A	REL		19/01/2010	



SUGGESTED PAD LAYOUT

## NOTES:

1. Designed to support application, such as SOHO (ADSL modems), LAN-on-Motherboard (LOM), hub and Switches.
2. With various Turns Ratios.
3. RoHS "NL" peak solder rating 260°C ±5°C.



Dimensions: mm

Unless otherwise specified, all tolerances are ±0.25

X:X	APPD:	LINK-PP INT'L TECHNOLOGY CO., LIMITED		
X:XX	CHKD:	TITLE: 10/100 Base-T Single Port Transformer Modules		
X:XXX	DR: C.H.Y	PART NO.: LP1188NL		
ANGLES ±1°	UNIT: mm			
	SCALE: 2/1	SHEET: 2/2	REV: A	DWG NO.: LP10011922